

40" NAVAL CHART DISPLAY TABLE

29LMC403A31MP

DATASHEET

HIGH QUALITY, RUGGED METAL CONSTRUCTION

New to KMEs marine range is the 40" Naval Chart Display. This monitor has a resolution of 1920 x 1080 and is designed as a table mount display.

Horizontal mounting needs additional and redesigned cooling compared to vertical mounting. Internal ducting and temperature sensing are used to minimise fan usage, whilst a 'submarine mode' is available that switches off all fans and reduces backlight to enable silent running for a restricted time.

The use of high quality components, robust and lightweight casing, anti - glare safety glass, transfective enhancements and touch screen capability makes KME's monitors ideal for demanding applications.

Designed with ECDIS and Radar in mind, the range specifically meets the stringent demands of Shock, Vibration, EMC and EMI defined in the IEC 60945 International Standard for Maritime Navigation and Radio communications Equipment & Systems.

SOLUTIONS FOR MARINE APPROVED MONITORS

- > **IP65 sealed**
The front is sealed to IP65 rating for water and dust resistance.
- > **Optional Touch screen & PC Integration**
KME can offer a variety of touch screen solutions for the marine range with either serial or usb interface. There is also the option of the display complying to MIL-STD-810/461
- > **Certified & Approved**
The table is designed to comply with EN 60945 and ECDIS.
- > **Connections**
The display has 15WD and composite video



40" NAVAL CHART DISPLAY TABLE

29LMC403A31MP

DATASHEET

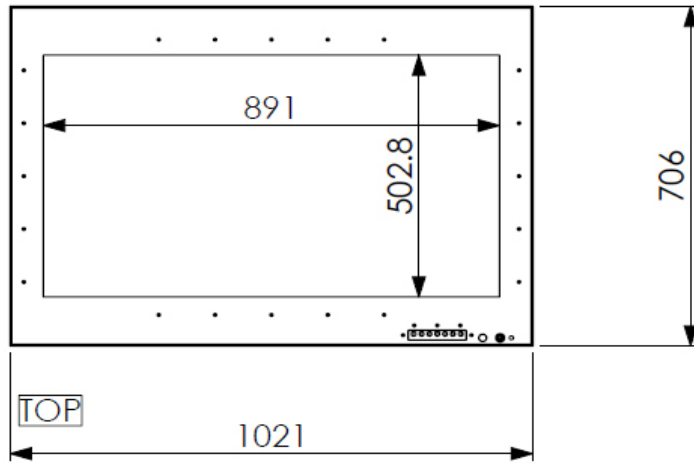
Electrical Description		Mechanical Description	
TFT Characteristics:		Dimensions:	Monitor: 1021(w) x 706(h) x 206.5(d) mm Weight: 54kg
		Input:	HD-15 D-sub, BNC
Max Resolution:	1920 x 1080 pixels		
Active Display Area:	891 x 502.8 mm		
Response Time:	8ms	Housing	Painted Aluminium
Contrast Ratio:	2000:1 typical	Sealing	Front panel IP65
Brightness:	500cd/m ² typical	Approvals	
Viewing Angles (at CR>10):	178°	ECDIS & Radar Compliance:	
Backlight Life:	50,000 hours typical		IEC 61174 Designed to comply
No. Colours:	16.7 million	EMC & Safety:	
Video Signal:	RGB 0.71.0Vp-p		EN 60950 Designed to comply
Composite Video Inputs:	PAL/NTSC & SEACAM with 'Picture In Picture' (PIP) facility	Marine Communications:	
Signal Sync:	Separate H & V (+/ve) TTL or Composite (-ve) TTL or Sync- on - Green (-ve) 0.3V		IEC 60945 Designed to comply
Synchronisation Range:	Horizontal scan: 30 to 95kHz Vertical scan: 50 to 85Hz		
Display modes:	VESA Support: 640 x 480 VGA 800 x 600 SVGA 1024 x 768 XGA 1280 x 1024 SXGA 1366 x 768 WXGA 1920 x 1080 WUXGA _(recommended)		
Power Supply:	90-265V AC 50-60 Hz		
Power Consumption:	280W (Max)	Part Numbers:	
Environmental:	**Operating Temp: 0 to +50 °C (IEC 60945 tests) Storage Temp: -20 to +60 °C Operating Humidity: 30% to 90% (non condensing) Storage Humidity: 10% to 90% (non condensing) Shock: 50g, 11msec, sine Vibration: 1.5g, 10 to 300Hz	Monitor:	29LMC403AC31MP
		Monitor & Touchscreen:	29LMC403AC31MP
		Monitor, integrated PC & Touchscreen :	29LMCP403AC31MP
**Quoted EN60945 test. We do not recommend routine operation at extreme temperatures			

Due to a policy of continuous product development KME reserves the right to change specifications and descriptions without prior notification. All trademarks acknowledged.

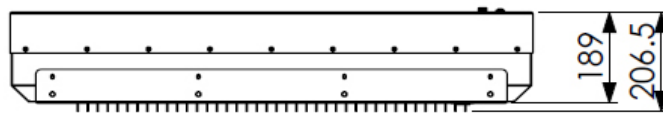
40" NAVAL CHART DISPLAY TABLE

DATASHEET

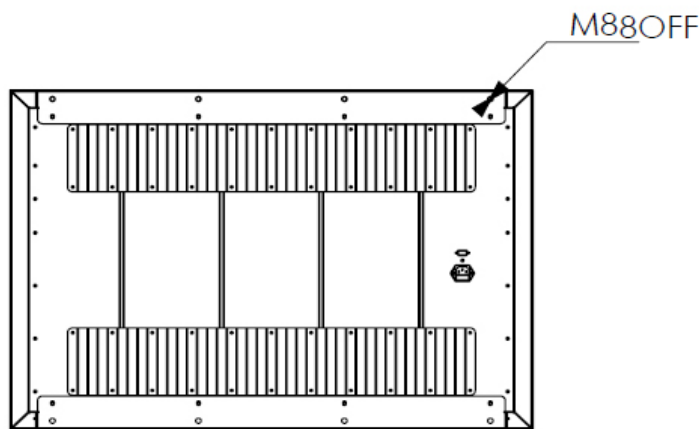
29LMC403A31MP



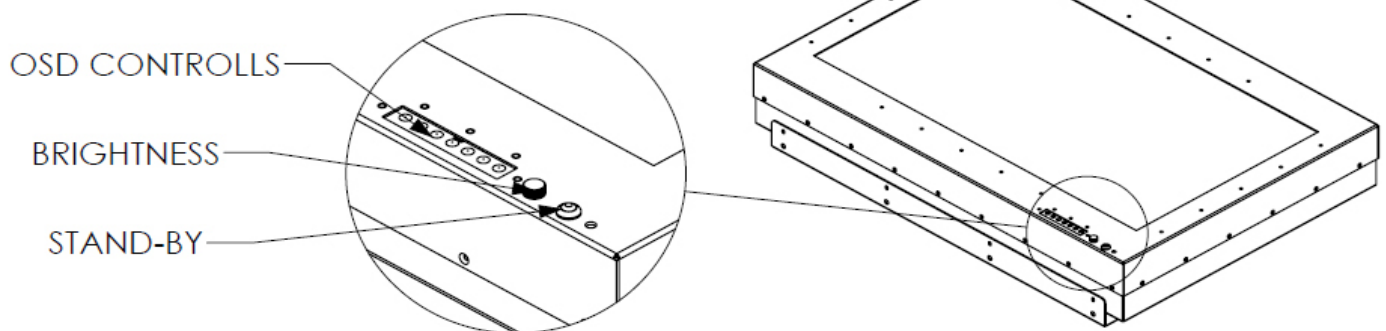
SIDE



SIDE



BOTTOM



KENT MODULAR ELECTRONICS LTD
621 Maidstone Road
Rochester, Kent ME1 3QJ
T: +44 (0)1634 830123 F: +44 (0)1634 830619
E: sales@kme.co.uk W: www.kme.co.uk

