

19" LCD MARINE RACKMOUNT MONITOR - CRT REPLACEMENT

29LR193A55UN/1

DATASHEET

LEGACY & MULTISCAN LCD MARINE MONITOR

In common with normal TFT Liquid Crystal Displays, this monitor can be used with standard PC graphics cards. However, this monitor can also be used with Legacy systems that use nonstandard display controllers where normal TFT Displays cannot be used. Signal Recognition and Scaling software offer the user the ability to adjust the displayed picture in both horizontal and vertical size allowing almost any slow scan video mode to be displayed.

Designed specifically to meet the stringent demands of marine environment in particular IEC 60945 for Maritime Navigation and Radio Communications Equipment & Systems. Resolutions up to 1280 x 1024 pixels can be displayed with superb image quality. In addition to VESA fixing at the rear, there is an optional mounting bracket for Desktop or Overhead installation.

SOLUTIONS FOR MARINE APPROVED MONITORS

- > **Accepts Non-Standard Video Signals**
- > **Advanced Deep Dimming 2000:1**
KME has developed a deep dimming solution for the marine range which provides smooth consistent dimming to 2000:1 (dim to black is available on request).
- > **Analog & TTL Video Inputs**
- > **Certified & Approved**
The marine range is designed to comply with EN 60945 and EN 60950. In the case of the 17" and 19" monitors some are already certified and approved to these standards.
- > **Contrast Enhancing AR Safety Glass**
- > **Versatile Fixing for Arms/Brackets**



19" LCD MARINE RACKMOUNT MONITOR - CRT REPLACEMENT

29LR193A55UN/1

DATASHEET

Electrical Description		Mechanical Description	
TFT Characteristics:		Dimensions:	Monitor: 483(w) x 399(h) x 78+14(d)mm Weight: 10kg approx
Type:	19 a-Si AM TFT		
Max Resolution:	1280 x 1024 pixels		
Active Display Area:	376.3 x 301.1 mm	User Controls:	Front Mounted
Response Time:	15ms	Housing:	Aluminium
*Contrast Ratio:	500:1 typical	Sealing:	IP23 (IP65 front)
*Brightness:	250cd/m ² typical	Approvals	
Viewing Angles (at CR>10):	170° / 170°	ECDIS & Radar Compliance:	
Backlight Life:	50,000 typical	IEC 61174:	Designed to comply
No. Colours:	16 million	EMC & Safety:	
Video Signal:	RGB 0.7-1.0Vp-p	EN 60950	Designed to comply
		Marine Communications:	
		IEC 60945:	Designed to comply
Synchronisation Range:			
Horizontal scan:	15-84 kHz		
Vertical Scan:	37-100 Hz		
Display modes:	640 x 480 VGA 800 x 600 SVGA 1024 x 768 XGA 1280 x 1024 SXGA (recommended)		
Power Supply:	90-265V AC 50-60Hz	Part Numbers:	
Power Consumption:	65W (Max)		
Environmental: **Operating Temp:	-15 to +55 °C (IEC 60945 tests)	Ancillaries	Monitor: 29LR193A55UN/1
Storage Temp:	-20 to +60 °C		
Operating Humidity:	30% to 90% (non condensing)		Available upon request
Storage Humidity:	10% to 90% (non condensing)		
Shock:	10g, 11msec ½ sine		
Vibration:	+/-1mm, 2 to 13Hz: 0.7g, 13 to 100Hz		
			Resistive touchscreen RS232: Capacitive touchscreen RS232: Resistive touchscreen USB: Stand Bracket:
**Quoted EN60945 test. We do not recommend routine operation at extreme temperatures			
* Brightness and Contrast refer to naked LCD panel			

Due to a policy of continuous product development KME reserves the right to change specifications and descriptions without prior notification. All trademarks acknowledged.

KENT MODULAR ELECTRONICS LTD
621 Maidstone Road
Rochester, Kent ME1 3QJ
T: +44 (0)1634 830123 F: +44 (0)1634 830619
E: sales@kme.co.uk W: www.kme.co.uk

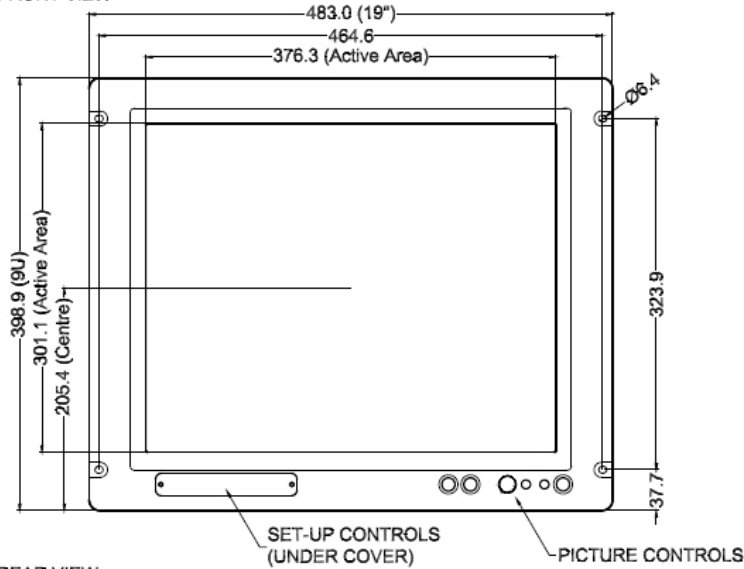


19" LCD MARINE RACKMOUNT MONITOR - CRT REPLACEMENT

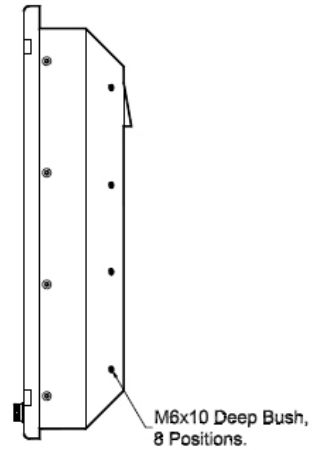
29LR193A55UN/1

DATASHEET

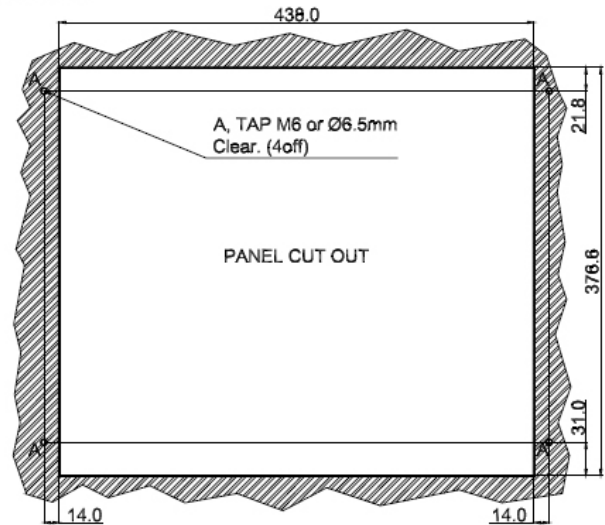
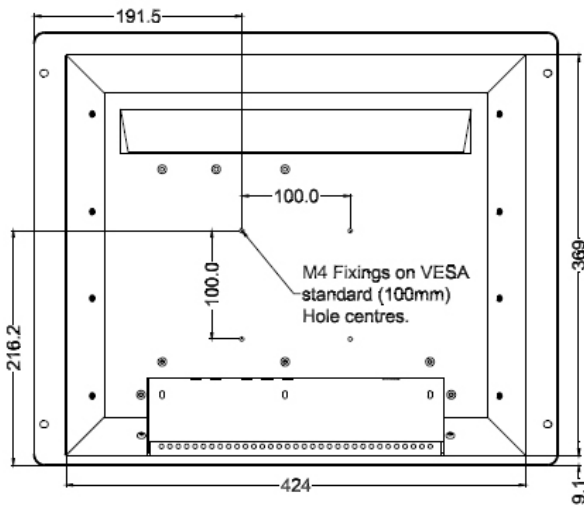
FRONT VIEW



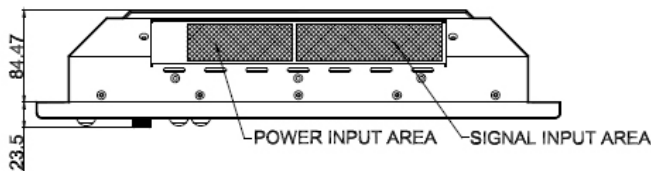
SIDE VIEW



REAR VIEW



BOTTOM VIEW



All dimensions in millimetres
(Not to scale)

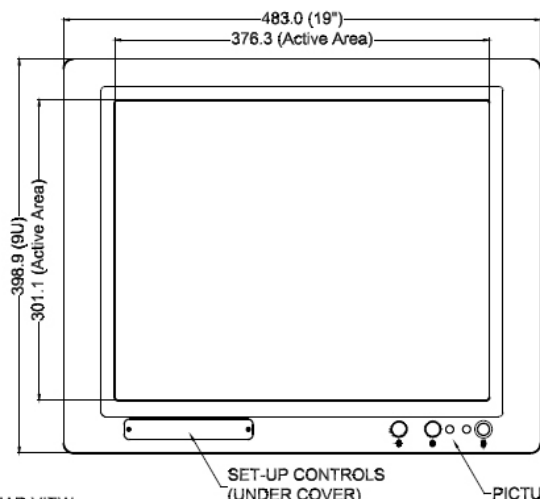
19" LCD MARINE RACKMOUNT MONITOR - CRT REPLACEMENT

29LR193A55UN/1

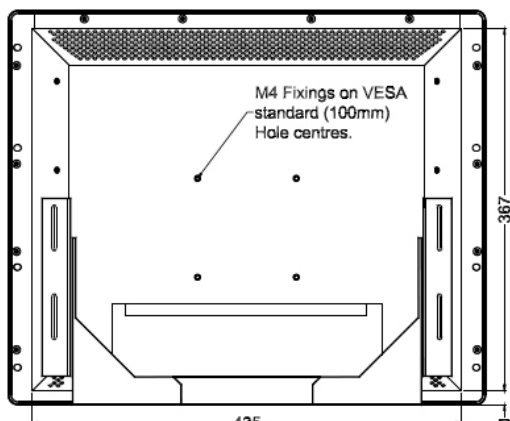
DATASHEET

MOUNTING BRACKET INSTALLATION 29LR193 UN Series

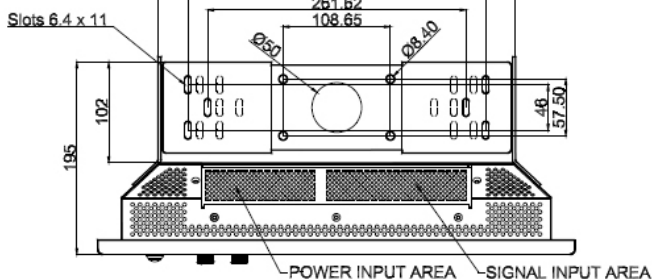
FRONT VIEW



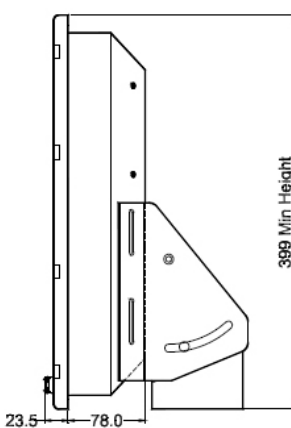
REAR VIEW



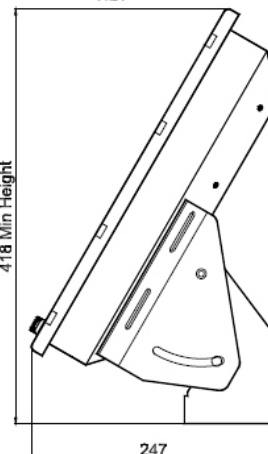
BOTTOM VIEW



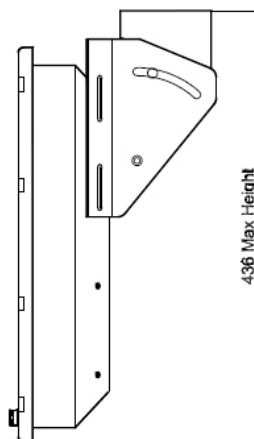
SIDE VIEW 0 ° TILT
DESKTOP MOUNTING



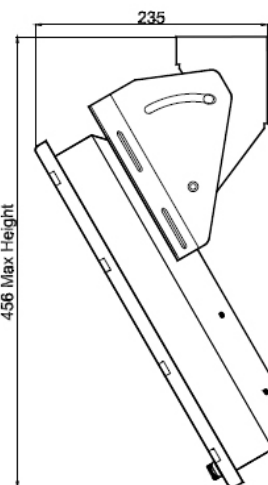
SIDE VIEW 30 ° TILT



SIDE VIEW 0 ° TILT
OVERHEAD MOUNTING



SIDE VIEW 30 ° TILT



All dimensions in millimetres
(Not to scale)