

## MDT - (MOBILE DATA TERMINAL) ALL-IN-ONE: LCD TOUCHSCREEN COMPUTER

The ICD-850 is an rugged all-in-one MDT solution for in-car use. It consists of a high bright LCD monitor, a compact Single Board Computer, a SSD [Hard Drive] and a touchscreen. The unit also has an integrated 3G modem for internet connectivity and a GPS receiver for satellite navigation.

This unit is design to fit into a standard radio single DIN slot, and can be fitted with ease.

The LCD also has a deep dimming backlight control, which enables the user to dim the screen from 100% to 0% brightness.

### KEY SPECIFICATION:

- > **Touch screen facility**  
A resistive touchscreen is integrated into the screen
- > **Integrated Hardware:**
  - 3G Internet connectivity
  - GPS receiver
  - Microphone / Speaker
  - Smart Card Reader
  - Video camera in cab
- > **Inputs**  
USB, Ethernet, Serial RS232
- > **Adjustable depth of head unit**  
This enables the unit to be adjusted to suit any vehicle with a single DIN-E radio slot
- > **Rugged metal construction**  
The ICD-850 has been designed to withstand the harsh shock and vibration levels experienced by a police vehicle.
- > **High speed SBC (Single Board Computer)**  
The high speed/ low power SBC in the ICD-850 makes this ideal for use in vehicles
- > **High speed SSD SATA (Hard Drive)**  
The ICD-850 as standard has a 64GB Solid State SATA Hard Drive integrated which enables fast read /write speeds with high capacity, yet robust and durable for use in a high-shock environment
- > **Intelligent Power Management System**  
The ICD-850 has a power management system which enables the screen to be operated while the vehicle is in use, but will power down the PC when the car has not been occupied for a period of time. This system means the PC is shut down correctly and prevents damage to the key operating system files. It therefore does not drain the vehicle's battery when the car is not in use. The system will also know when the vehicle has been re-occupied and will start up automatically.



## 8.4" RUGGED LCD IN-CAR TOUCHSCREEN PC DISPLAY

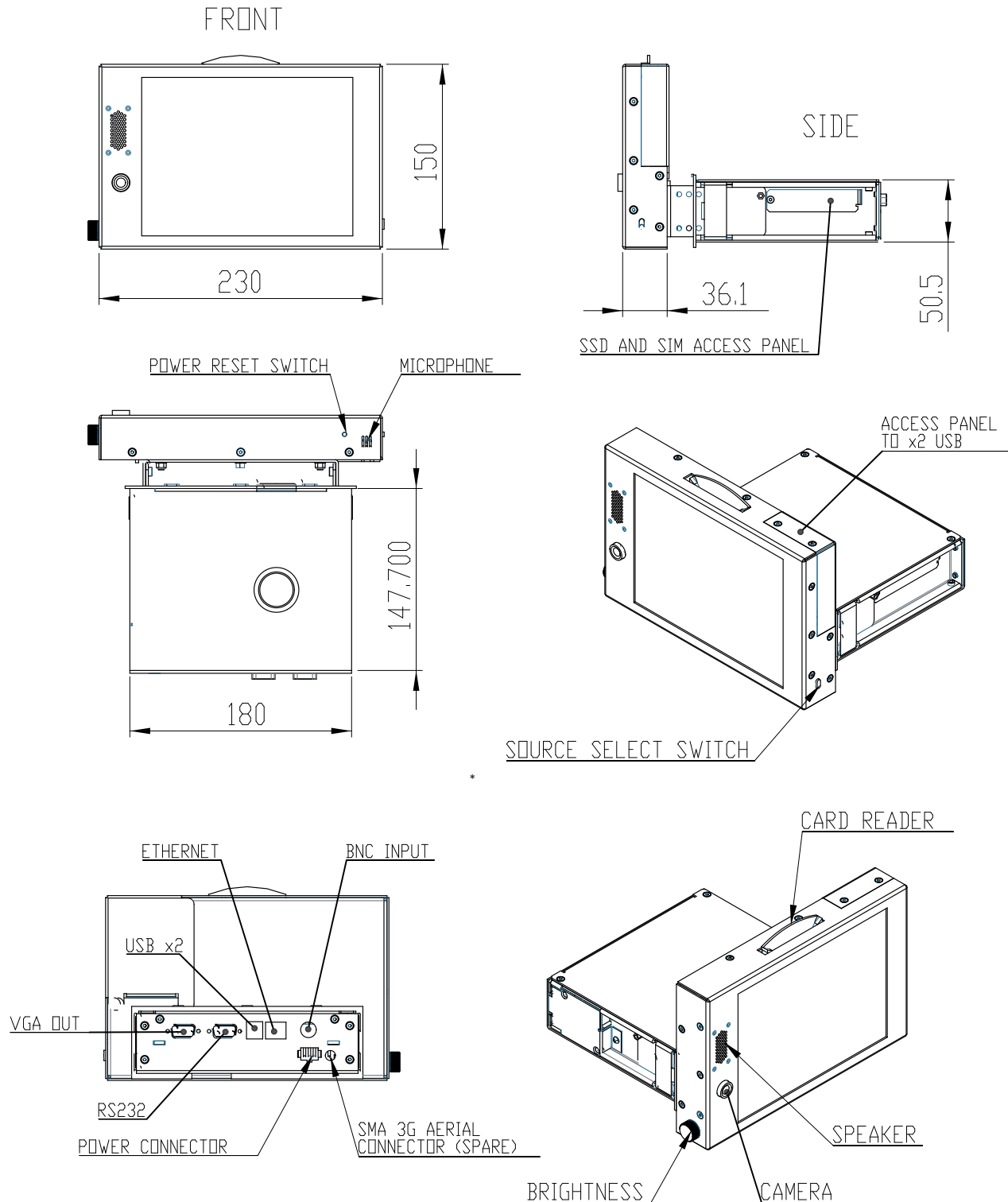
# ICD-850

| Electrical Description      |                                       | Mechanical Description                                    |  |
|-----------------------------|---------------------------------------|---|--|
| <b>TFT Characteristics:</b> |                                       | <b>Dimensions:</b>  | Monitor: 240.5 x 163.5 x 36.0mm                            |
|                             |                                       |   | Weight: 3.5 kg   |
| Type:                       | a-si TFT active matrix                | <b>Touch screen</b>                                       | Resistive touchscreen                                      |
| Max Resolution:             | 800 x 600 pixels (SVGA)               | <b>Housing</b>  | Painted aluminium  |
| Active Display Area:        | 170.4 x 127.8 mm                      | <b>Side Controls:</b>                                     | Power reset switch, Deep dimming control                   |
| Response Time:              | 30ms typical                          |   |  |
| Contrast Ratio:             | 600:1 typical                         | <b>Integrated Hardware:</b>                               |  |
| Brightness:                 | 1000cd/m <sup>2</sup> typical         | 3G Internet:  | 3G integrated, with SIM slot & Aerial onboard              |
| Viewing Angles (at CR>10):  | 80 ° R / 80 ° L / 80 ° Up / 60 ° down | GPS:  | GPS receiver module & antenna                              |
| Backlight Life:             | 50,000 hours typical                  | Peripherals (Keyboard):                                   | USB interface on rear (keyboard not included)              |
| No. Colours:                | 16.7 Million                          | Smart Card Reader:  | User Log-In Access   |
|                             |                                       | Microphone / Speaker:                                     | Built in Microphone and Speaker                            |
| <b>PC Specification:</b>    |                                       | Video Camera:   | Facing car interior  |
| Processor:                  | 1.6GHz Intel Atom SBC                 |   |  |
| Memory:                     | 2GB RAM                               | <b>Interface Connectors:</b>                              | x1 Ethernet (RJ45)   |
| Storage:                    | (SSD) 64GB SATA Drive (removable)     |   | 4x USB (x2 rear face, x2 front face)                       |
| <b>Power Supply:</b>        | 12v DC                                |   | x1 Power Connector   |
|                             |                                       |   | Serial RS232 (9way- D)                                     |
|                             |                                       |   | x1 VGA out (15way-D)                                       |
|                             |                                       |   | x1 3G Aerial (Rear Face) SMA Connector (Extra Aerial Port) |
| <b>Power Consumption:</b>   | 15W (Max)                             | <b>Part Numbers:</b>                                      |  |
| <b>Environmental:</b>       |                                       | Model number:   | ICD-850  |
| Storage Temp:               | -20 to 80°C                           | <b>Optional Extras:</b>                                   |  |
| Operating Temp:             | -10 to 55°C                           | Speed enforcement Video Input (with source select switch) | Part Number: TBC   |
|                             |                                       | Upgraded Hard Drive (128GB)                               | Part Number: TBC   |

Due to a policy of continuous product development KME reserves the right to change specifications and descriptions without prior notification. All trademarks acknowledged.

## 8.4" RUGGED LCD IN-CAR TOUCHSCREEN PC DISPLAY

# ICD-850



\* Source select switch not standard